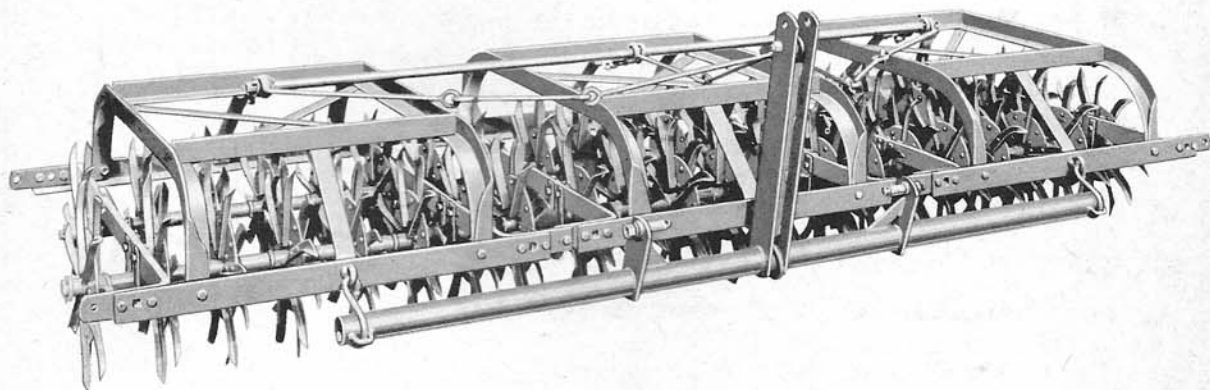


Ford

ROTARY HOES

Series 407 and Model 13-10

MASTER PARTS BOOK



APRIL, 1958

TRACTOR AND IMPLEMENT DIVISION

Ford Motor Company

2500 East Maple Road, Birmingham, Michigan

Rotary Hoe

MODEL INDEX

13-99	Rotary Hoe Section Assembly (2))	Series Option
13-100	Two Section Lift Type Hitch)	407-1
13-99	Rotary Hoe Section Assembly (3))	Series Option
13-101	Three Section Lift Type Hitch)	407-2
13-99	Rotary Hoe Section Assembly (4))	Series Option
13-121	Four Section Lift Type Hitch)	407-3
13-99	Rotary Hoe Section Assembly (2)) Series Option
13-102	Two, Three, Four, or Six Section Pull Type Hitch)	407-4
13-99	Rotary Hoe Section Assembly (3)) Series Option
13-102	Two, Three, Four or Six Section Pull Type Hitch)	407-5
13-99	Rotary Hoe Section Assembly (4)) Series Option
13-102	Two, Three, Four or Six Section Pull Type Hitch)	407-6
13-99	Rotary Hoe Section Assembly (6)) Series Option
13-102	Two, Three, Four or Six Section Pull Type Hitch)	407-7
13-103	Pull Type Adapter Hitch for 6 Section Hoe)	
13-10	Ford Rotary Hoe (Lift Type) - Group 1-4	

EXTRA EQUIPMENT

109771	Pin, Link, FMD)	
9N-560	Pin, Link, Top)	FMD Attaching
109272	Spacer, .76 x 1 x 2)	
102150	Position Control Attachment for FMD	

Rotary Hoe

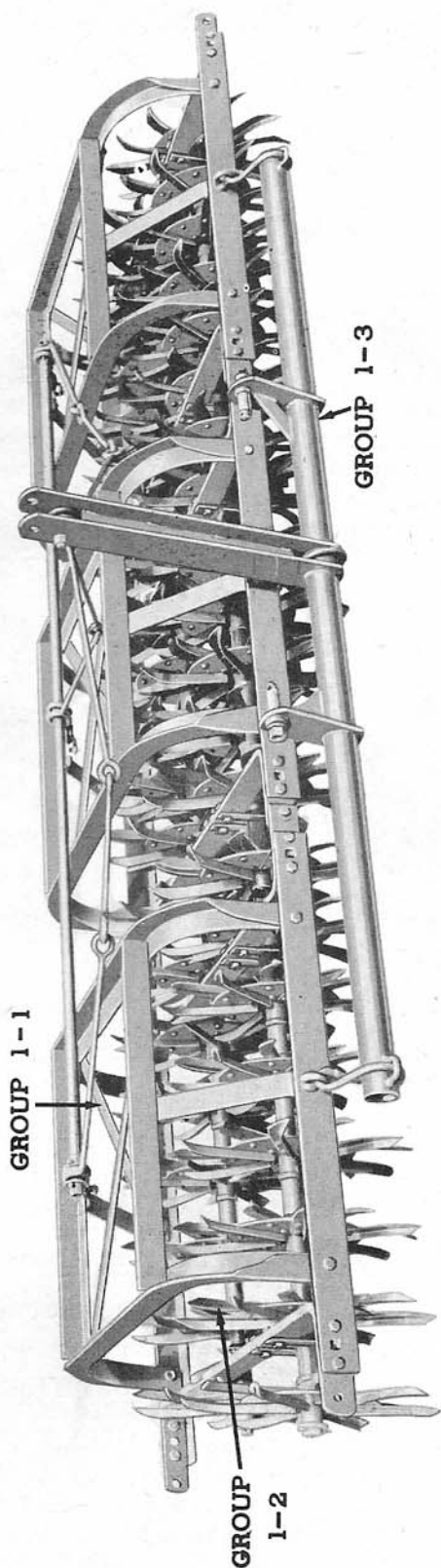


Figure A - Series 407-2 Rotary Hoe

Rotary Hoe

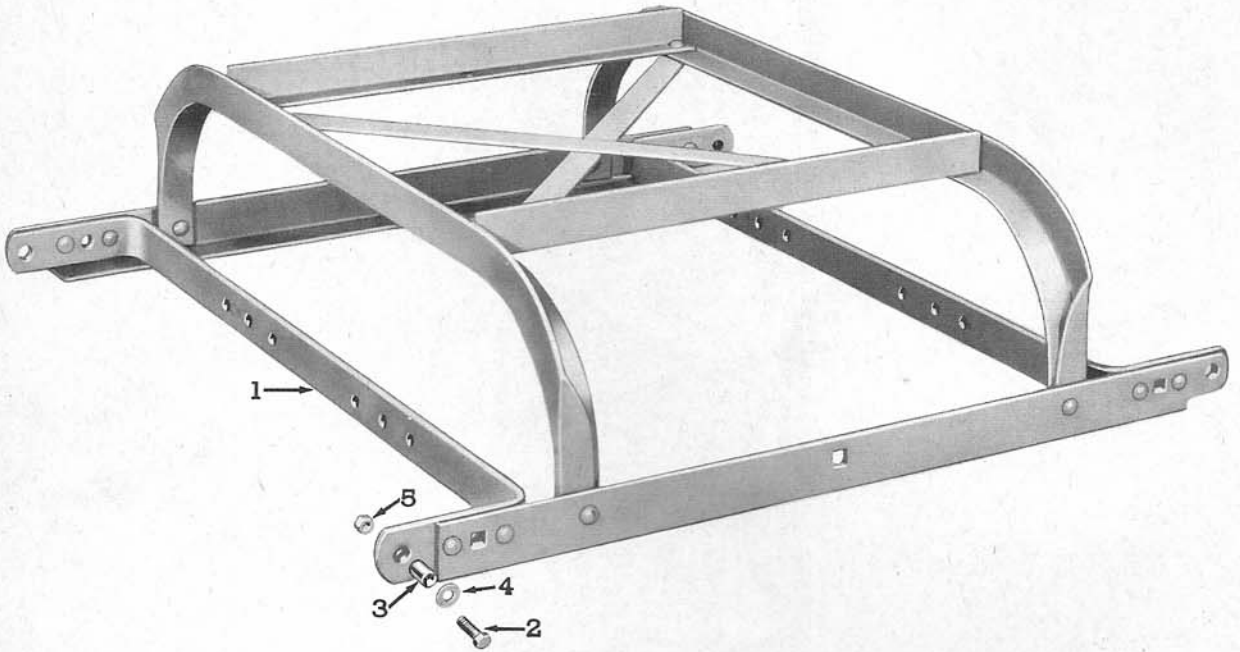


Figure 1 - Weight Box and Frame Assembly

FIG. 1	PART NO.	NAME AND DESCRIPTION	QTY. REQ.
		<u>GROUP 1-1 ROTARY HOE SECTION ASSEMBLY</u>	<u>13-99</u>
	13-99	ROTARY HOE SECTION ASSEMBLY	
1	102479	FRAME, Rotary Hoe	1
2		BOLT, 7/16 - 1/4 x 1-3/4 Hex Hd)	
3	125828	SPACER	
4		WASHER, 7/16 Flat	
5		NUT, 1/16 - 1/4 Hex	
) Attaches Section to Section	2

Rotary Hoe

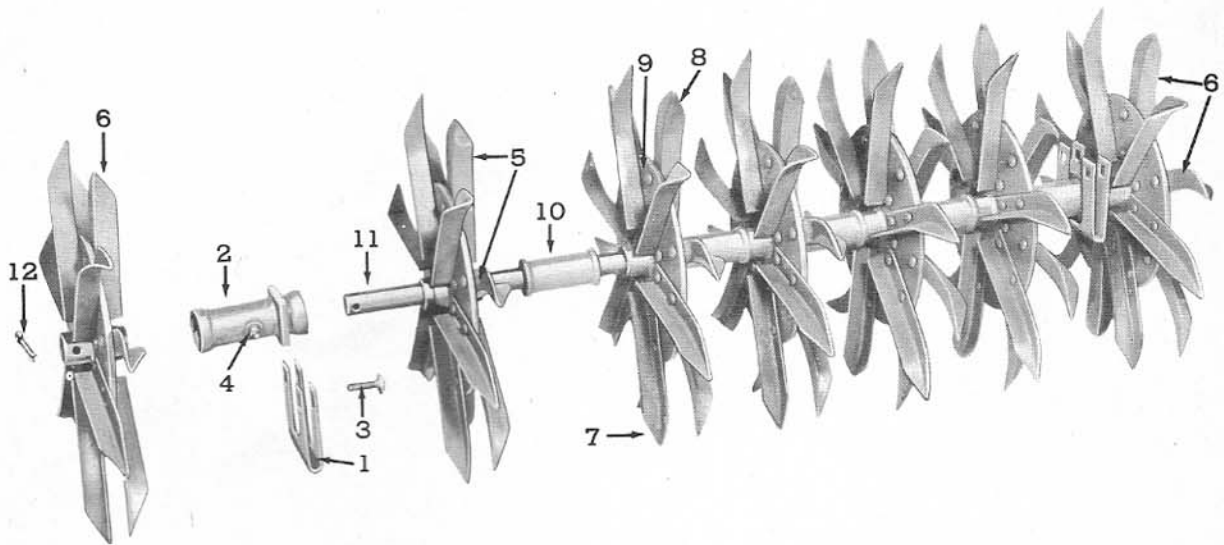
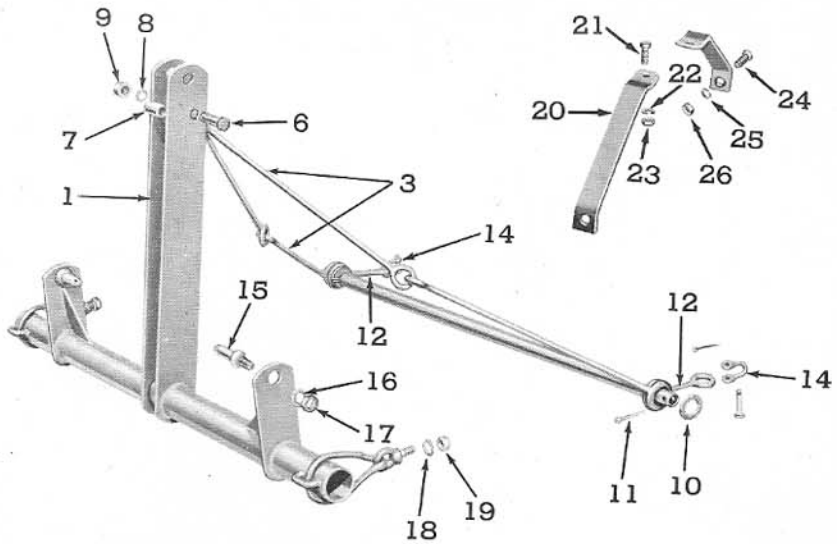


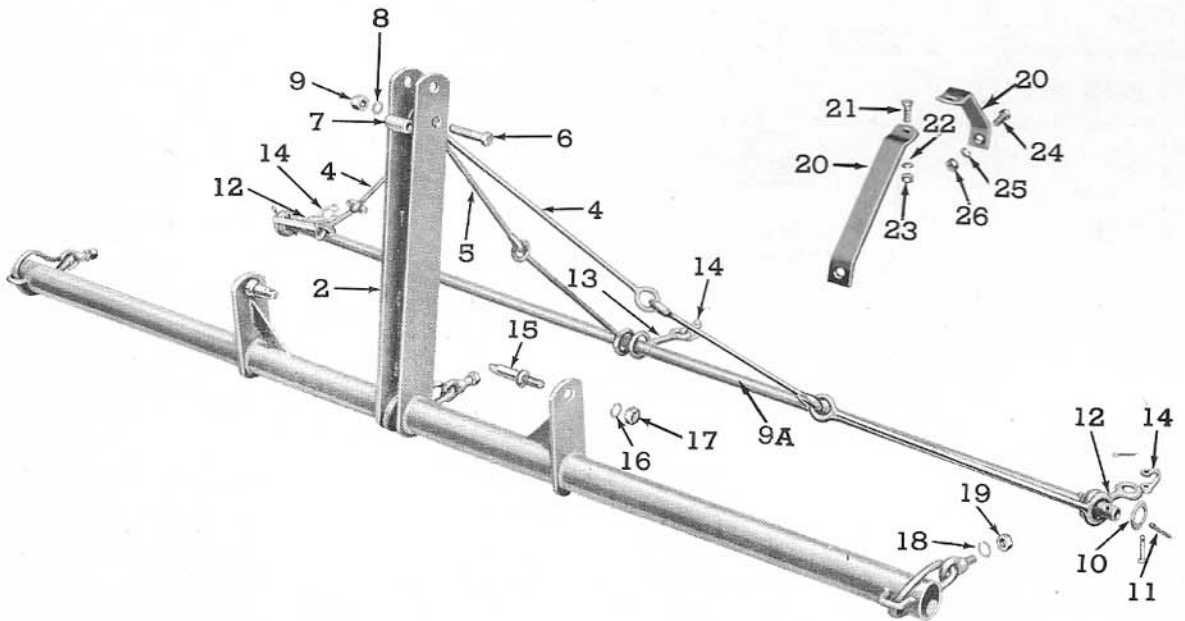
Figure 2 - Rotary Hoe Gang Assembly

FIG. 2	PART NO.	NAME AND DESCRIPTION	QTY. REQ.
<u>GROUP 1-2 ROTARY HOE GANG ASSEMBLY</u>			13-99
1	102476	HANGER, Bearing	4
2	102475	BEARING, Rotary Hoe Axle	4
3		BOLT, 7/16 - 1 1/4 x 1-1/4 Carr)	
-		LOCKWASHER, 7/16) Hanger to Frame Side	8
-		NUT, 7/16 - 1 1/4 Hex)	
4	87918-S8	FITTING, Lube, 1/8 - 27 x 7/8 x 90°	4
5	133620	WHEEL ASSEMBLY, Rotary Hoe	12
6	133621	WHEEL ASSEMBLY, Rotary Hoe (Pinned)	2
		Includes:	
7	133610	TOOTH, Wheel-Right	84
8	133611	TOOTH, Wheel-Left	84
9	65042-S	RIVET, 5/16 x 13/16 Round Hd	336
10	133602	SPACER, Wheel, 1.70 x 3.44	8
11	133306	AXLE, Rotary Hoe	2
12		COTTER PIN, 5/16 x 2 - Pinned Wheel to Axle	2
--		WASHER, 1" Flat - Retain Wheel on Axle	AR

Rotary Hoe



13-100



13-101

Figure 3 - Drawbar Assembly

Rotary Hoe

FIG.	PART NO.	NAME AND DESCRIPTION	QTY. REQ.		
3			13-100	13-101	13-121
		<u>GROUP 1-3 DRAWBAR ASSEMBLY</u>			
		Two Section Lift Type Hitch - Model 13-100			
		Three Section Lift Type Hitch - Model 13-101			
		Four Section Lift Type Hitch - Model 13-121			
1		DRAWBAR ASSEMBLY, (Two Section) Use Model 13-100 . . .	1		
2		DRAWBAR ASSEMBLY, (Three Section) Use Model 13-101 . .		1	
-		DRAWBAR ASSEMBLY, (Four Section) Use Model 13-121 . . .			1
3	133639	LINK ASSEMBLY, Lift (Two Section)	2		2
4	133638	LINK ASSEMBLY, Lift (Three Section)		2	
5	133634	LINK ASSEMBLY, Center (Three Section)		1	
-	102612	LINK ASSEMBLY, Lift (Four Section)			2
6	302910-S8	BOLT, 5/8 - 11 x 3-1/2 Hex Hd)			
7	133649	SPACER, .742 x 1.05 x 2.04)			
8		LOCKWASHER, 5/8) Link Assembly to Drawbar	1	1	1
9		NUT, 5/8 - 11 Hex)			
-	133628	TUBE, Hitch, 46"	1		
9A	133629	TUBE, Hitch, 88"		1	
-	102616	TUBE, Hitch, 130-7/8"			1
10		WASHER, 1" Flat)			
11		COTTER PIN, 5/16 x 1-1/2) Link to Tube	4	4	8
12	133642	LINK, Lower	2	2	
13	133643	LINK, Lower		1	2
14	133622	SHACKLE ASSEMBLY	2	3	4
15	133687	PIN, Link	2	2	2
16		LOCKWASHER, 7/8)			
17		NUT, 7/8 - 11/4 Hex) Link Pin to Drawbar Assembly . . .	2	3	4
18		LOCKWASHER, 5/8)			
19		NUT, 5/8 - 11 Hex) Eyebolt to Frame	2	3	4
20	133616	BRACE, End	4	6	8
21		BOLT, 5/8 - 11 x 1-1/2 Hex Hd)			
22		LOCKWASHER, 5/8)			
23		NUT, 5/8 - 11 Hex) Brace to Frame	2	3	4
24		BOLT, 7/16 - 11/4 x 1-1/4 Hex Hd)			
25		LOCKWASHER, 7/16)			
26		NUT, 7/16 - 11/4 Hex) Brace to Frame	2	3	4

Rotary Hoe

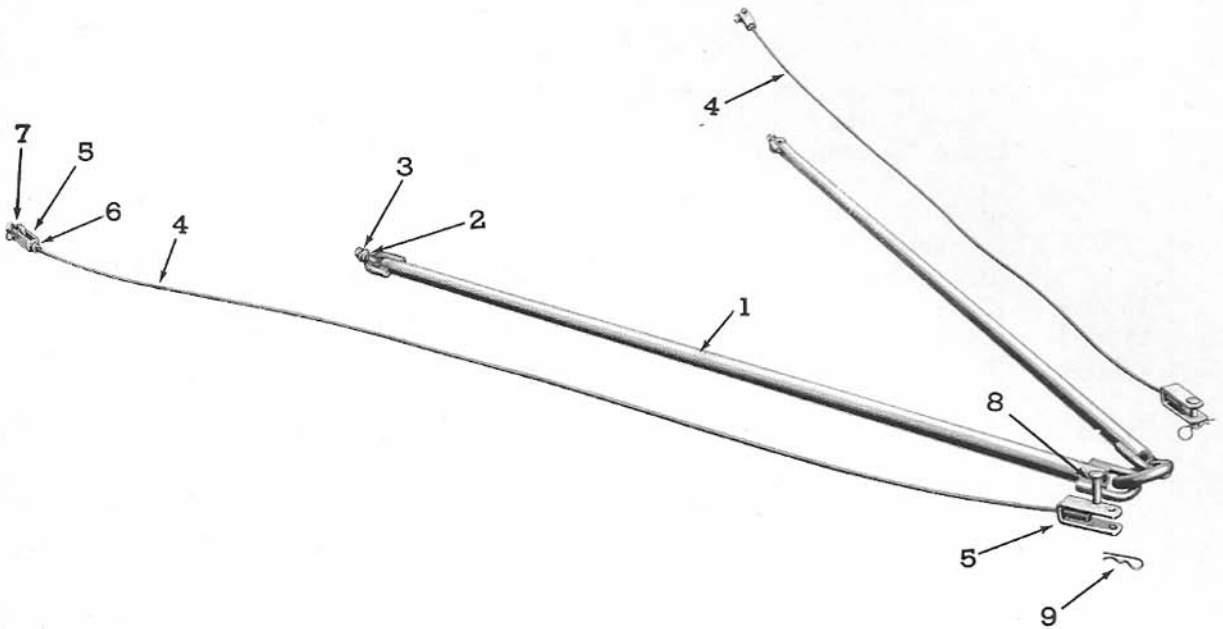


Figure 4 - Pull Type Hitches and Attachments

FIG. 4	PART NO.	NAME AND DESCRIPTION	QTY. REQ.
<u>GROUP 1-4 PULL TYPE HITCHES AND ATTACHMENTS</u>			<u>13-102</u>
1	13-102	HITCH ASSEMBLY, Rotary Hoe (Pull Type for 2, 3, 4 & 6 Sect.)	
2		Includes:	
3		LOCKWASHER, 5/8)	
		NUT, 5/8 - 11 Hex) Eyebolts to Sections	2
			<u>13-103</u>
-	13-103	PULL TYPE HITCH ADAPTER	
		Includes:	
4	133608	CABLE ASSEMBLY, Hitch	2
5	133599	CLEVIS, Hitch Cable	4
6		NUT, 1/2 - 13 Sq	4
7	133623	EYEBOLT, Hitch to Section	2
8	133300	PIN, 1/2 x 1-1/2 (2) Clevis)	
9	128296	HAIRPIN) Cable to Hitch and to Eyebolt	4

Rotary Hoe

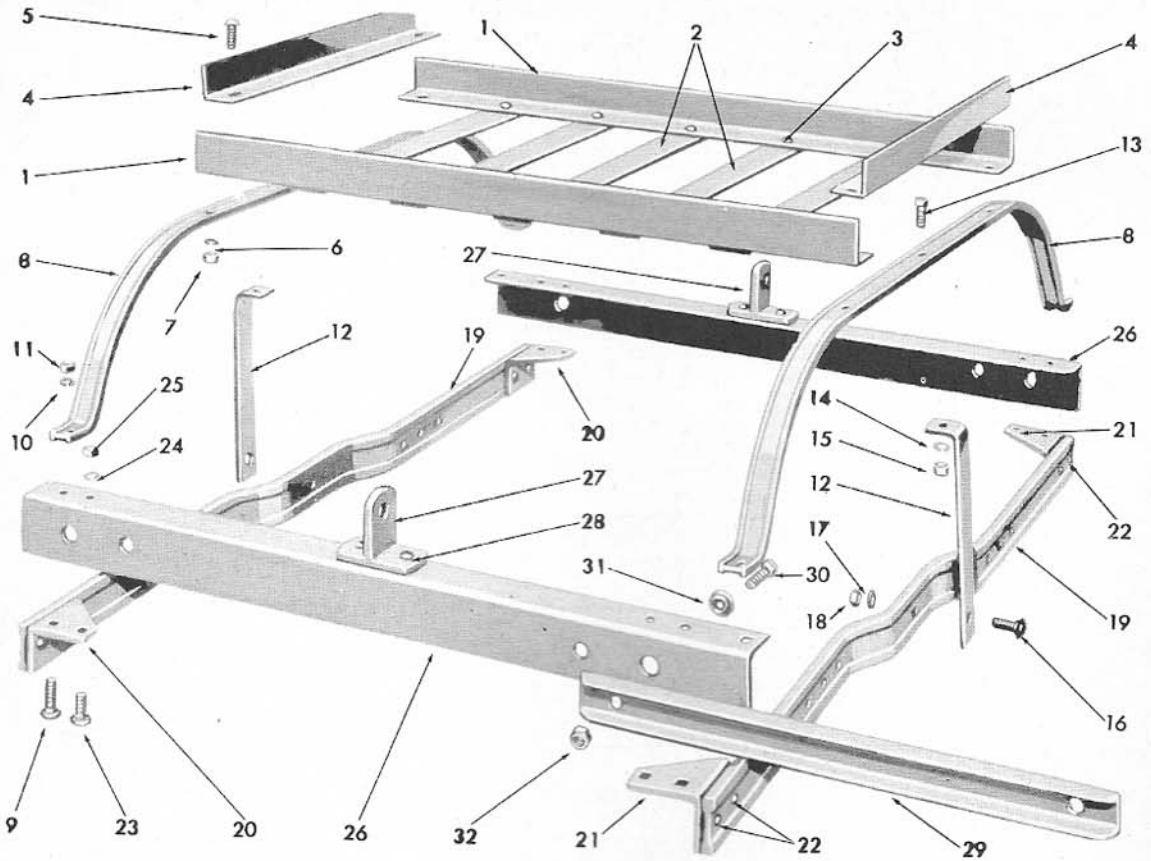


Figure 5 - Weight Box and Frame Assembly

FIG. 5	PART NO.	NAME AND DESCRIPTION	QTY. REQ.
<u>GROUP 2-1 WEIGHT BOX AND FRAME ASSEMBLY</u>			<u>13-10</u>
1	131340	ANGLE, Weight Box, End	2
2	131341	SLAT, Weight Box Bottom	10
3		RIVET, 3/8 x 11/16 Rd Hd - Slat to End Angles	10
4	131342	ANGLE, Weight Box Side	4
5		BOLT, 7/16 - 20 x 1-1/8 Carr)	
6		LOCKWASHER, 7/16) Angle to Support	8
7		NUT, 7/16 - 20 Hex)	
8	131352	SUPPORT, Weight Box	4
9		BOLT, 7/16 - 20 x 1 Carr)	
10		LOCKWASHER, 7/16) Support to Side Bar and End Angle	4
11		NUT, 7/16 - 20 Hex)	
12	131353	BRACE, Weight Box Support	4
13		BOLT, 7/16 - 20 x 1-1/16 Hex Hd)	
14		LOCKWASHER, 7/16) Brace to Support	4
15		NUT, 7/16 - 20 Hex)	
16		BOLT, 7/16 - 20 x 1-1/8 Carr)	
17		LOCKWASHER, 7/16) Brace to Frame Side Bar . . .	4
18		NUT, 7/16 - 20 Hex)	

Rotary Hoe

FIG.	PART NO.	NAME AND DESCRIPTION	QTY. REQ.
5		<u>GROUP 2-1 WEIGHT BOX AND FRAME ASSEMBLY (Cont'd)</u>	13-10
19	131333	BAR, Main Frame Side (Riveted Assembly) Consists of Bar which is not serviced separately plus items listed below:	4
20	131335	BRACE, Right	4
21	131336	BRACE, Left	4
--	131337	PLATE, Filler	8
22		RIVET, 3/8 x 1 Rd Hd - Brace and Plate to Side Bar . .	16
23		BOLT, 7/16 - 20 x 1 Carr)	
24		LOCKWASHER, 7/16) Side Bar to End Angle	12
25		NUT, 7/16 - 20 Hex)	
26	131344	ANGLE, Main Frame, End	4
27	131345	PLATE, Frame Hitch (Welded Assembly)	4
28		RIVET, 3/8 x 15/16 Rd Hd - Hitch Plate to End Angle	8
29	131366	BAR, Frame Connecting	2
30		BOLT, 7/16 - 20 x 1-1/4 Hex Hd)	
31		BUSHING (Not Serviced - Use) Connecting Spacer & Washer listed below)) Bar to	
--	221017	SPACER, .49 ID x .680 OD x .31) Main Frame	4
--		WASHER, 7/16 Flat) End	
--		LOCKWASHER, 7/16) Angle	
32		NUT, 7/16 - 20 Hex Special Stop)	

Rotary Hoe

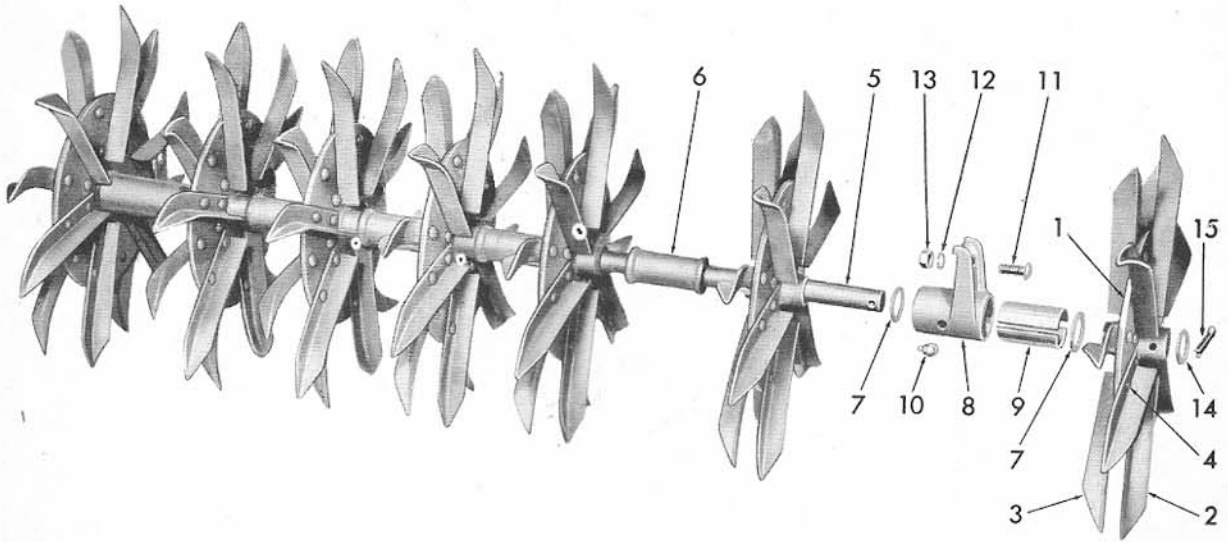


Figure 6 - Gang Assembly

FIG.	PART NO.	NAME AND DESCRIPTION	QTY. REQ.
		<u>GROUP 2-2 GANG ASSEMBLY</u>	<u>13-10</u>
-	131230	GANG ASSEMBLY, Rotary Hoe	4
1	131231	HOE WHEEL ASSEMBLY Consists of Plate and Hub which are not serviced separately plus items listed below:	32
2	131235	TOOTH, Right Hand	160
3	131236	TOOTH, Left Hand	160
4		RIVET, 5/16 x 11/16 Rd Hd - Tooth to Plate . . .	640
5	131237	AXLE, Gang	4
6	131238	SPACER, Wheel	20
7	300090	WASHER, 2 x 31/32 x No. 11 Gage Flat - Bearing Thrust	16
8	131330	CAP, Bearing	8
9	131331	BEARING, Wood	16
10		FITTING, 1/8 - 27 x 67-1/2° Lube - Bearing Cap	8
11		BOLT, 7/16 x 1-1/2 Carr)	
12		LOCKWASHER, 7/16) Bearing Cap to Side Bar . .	8
13		NUT, 7/16 - 20 Hex)	
14	300089	WASHER, 1-1/2 x 31/32 x No. 11 Gage Flat - Wheel Retain	12
15		COTTER PIN, 1/4 x 1-1/4 - Gang Axle	8

Rotary Hoe

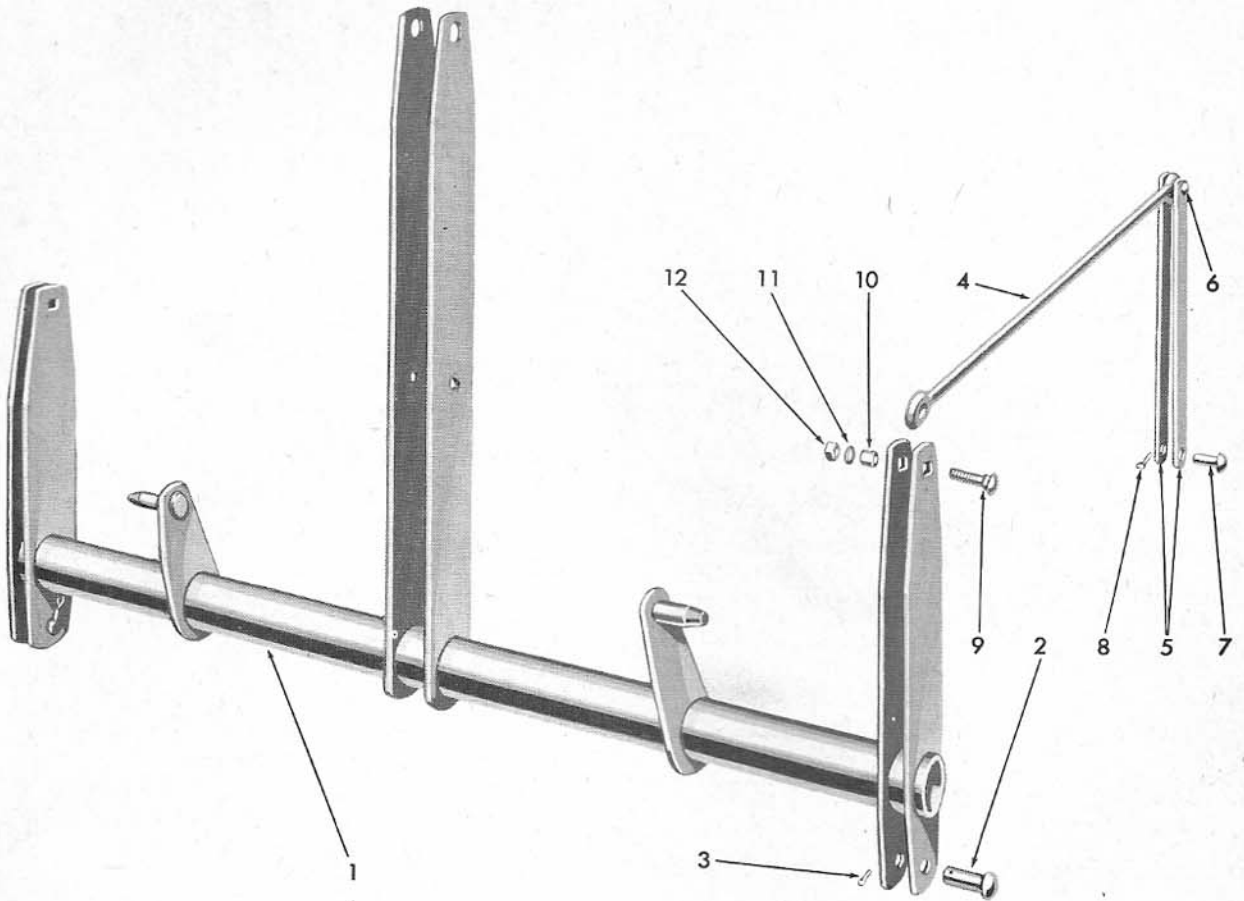


Figure 7 - Drawbar Assembly

FIG.	PART NO.	NAME AND DESCRIPTION	QTY. REQ.
7		<u>GROUP 2-3 DRAWBAR ASSEMBLY</u>	<u>13-10</u>
1	131354	DRAWBAR (Welded Assembly)	1
2		PIN, 5/8 x 1-11/16 Clevis) Drawbar to Section	2
3		COTTER PIN, 3/16 x 1)	
4	132976*	ROD, Lift (39" Lg)	2
5	131350	BAR, Lift Rod Connecting	4
-	131351	BUSHING) Bars to Rod	2
6		RIVET, 7/16 x 1-3/8 Rd Hd)	
7	73953-S	RIVET, 5/8 x 1-3/8 Rd Hd Drld) Bars to Weight Box Angle	2
8		COTTER PIN, 3/16 x 1)	
9		BOLT, 7/16 - 1/4 x 1-3/4 Carr)	
10	128162	BUSHING) Lift Rod to Drawbar	2
11		LOCKWASHER, 7/16)	
12		NUT, 7/16 - 1/4 Hex)	
<p>* When replacing old style Lift Rod (35" Lg.) with new Lift Rod 132976 it must be done in pairs and the Drawbar 131154 must be reversed end for end.</p>			

Rotary Hoe

NUMERICAL INDEX

65042-S	Rivet	3	131352	Support	8
73953-S	Rivet	11	131353	Brace	8
87918-S8	Fitting	3	131354	Drawbar	11
102475	Bearing	3	131366	Bar	9
102476	Hanger	3	132976	Rod	11
102479	Frame	2	133300	Pin	6
102612	Link Assy	5	133306	Axle	3
102616	Tube	5	133599	Clevis	6
125828	Spacer	2	133602	Spacer	3
128162	Bushing	11	133608	Cable Assy	6
128296	Hairpin	6	133610	Tooth	3
131230	Gang Assy	10	133611	Tooth	3
131231	Hoe Wheel Assy	10	133616	Brace	5
131235	Tooth	10	133620	Wheel Assy	3
131236	Tooth	10	133621	Wheel Assy	3
131237	Axle	10	133622	Shackle Assy	5
131238	Spacer	10	133623	Eyebolt	6
131330	Cap	10	133628	Tube	5
131331	Bearing	10	133629	Tube	5
131333	Bar	9	133634	Link Assy	5
131335	Brace	9	133638	Link Assy	5
131336	Brace	9	133639	Link Assy	5
131337	Plate	9	133642	Link	5
131340	Angle	8	133643	Link	5
131341	Slat	8	133649	Spacer	5
131342	Angle	8	133687	Pin	5
131344	Angle	9	221017	Spacer	9
131345	Plate	9	300089	Washer	10
131350	Bar	11	300090	Washer	10
131351	Bushing	11	302910-S8	Bolt	5

